



Product designation		SRB
Product type designation		Single function
General characteristics		
Functions		Emergency stop
Auxiliary supply		
Nominal auxiliary voltage supply		24VAC/DC
Operating range	V	22...26VDC / 20.4...27.6VAC
Frequency range	Hz	50/60
Overvoltage category		III
Insulation voltage	kV	4
Protections		Short circuit with PTC
Input characteristics		
Number of inputs	Nr.	2
Resistance input circuit	kΩ	Max 1
Input current	mA	Typical 5
Output characteristics		
Number of safe outputs NO	Nr.	3
Number of safe outputs NC	Nr.	1
Number of feedback outputs	Nr.	0
Output type		Voltage free contacts, relays with forcibly guided contacts
Output contacts ratings		AC1 250V: 6A- 2000VA AC15 230V: 3A DC1 24V: 6A DC13 24V: 2.5A
UL 508 ratings		Pilot duty: B300- R300
Mechanical life	cycles	>107
Electrical life AC1 at 360 commutations/h	cycles	105
Safety parameters		
ISO 13849-1 security category		Cat. 4
ISO 13849-1 performance level		PLe
Mechanical features		
Cable connection		Removable screw terminal
Fixing		35mm DIN rail
Weight	g	230
Ambient conditions		
Protection degree		IP40 on front IP20 on terminals
Pollution degree		2

Temperature

Operating temperature

min	°C	-25
max	°C	+60

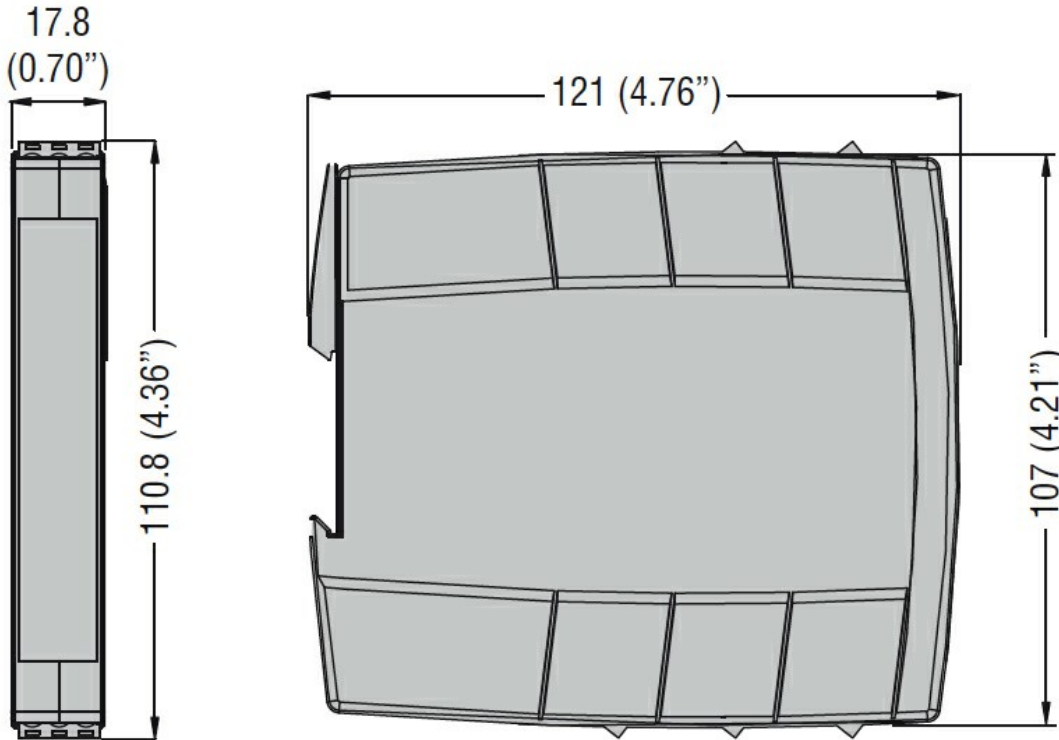
Storage temperature

min	°C	-30
max	°C	+70

Relative humidity

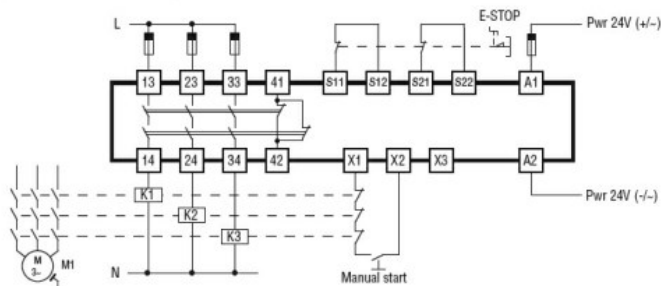
%	=95
---	-----

Dimensions

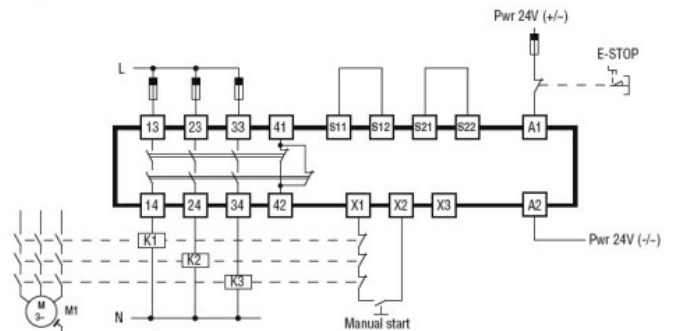


Wiring diagrams

Double channel mode, manual start



Single channel mode, manual start



Certifications and compliance

Compliance

- EN/BS 13849-1
- EN/BS 81-20
- EN/BS 81-50

Certifications and compliance

- cULus
- TUV

ETIM classification

ETIM 8.0

EC001449 -
Device for
monitoring of
safety-related
circuits